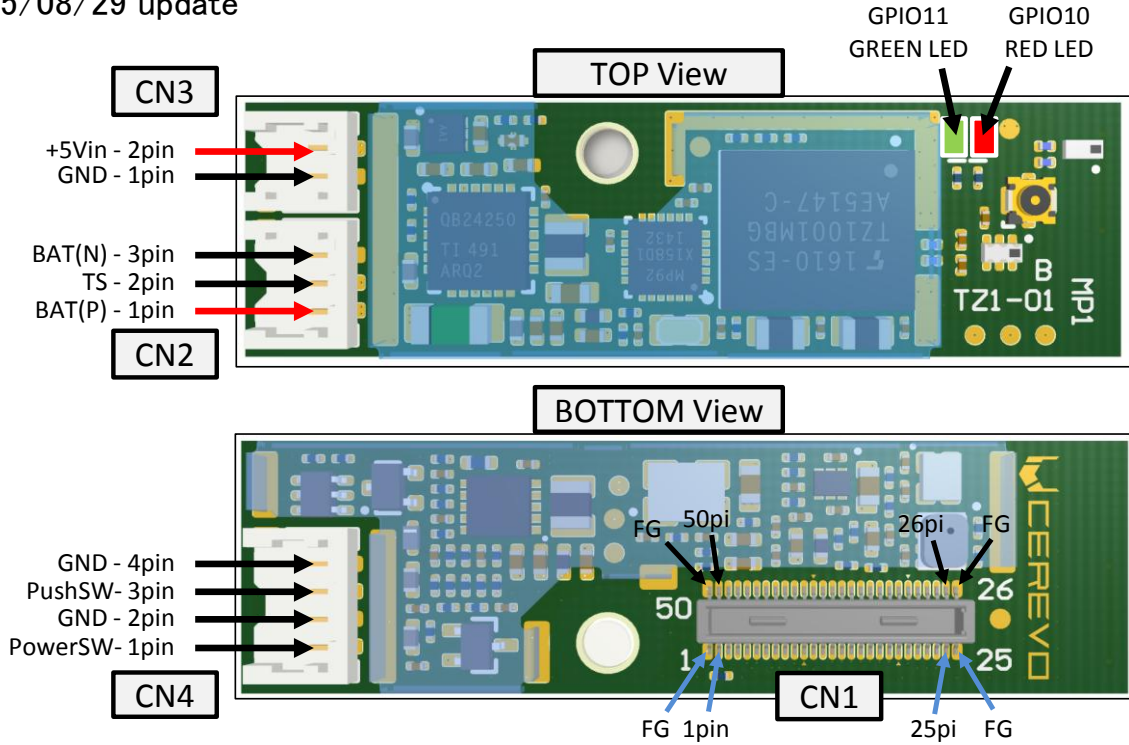


BlueNinja CDP-TZ01B ピンアサイン Rev2
2015/08/29 update



CN1: Main connector HIROSE DF40C-50DP-0.4V(51)

Pin	Type	Symbol	Pin	Type	Symbol
1	P	GND	26	P	GND
2	I/O	USB_DP	27	I/O	MCU_SPIM0_MISO/GPIO_19/TRACECLK
3	I/O	USB_DM	28	I/O	MCU_SPIM0_MOSI/GPIO_18/PWM2
4	P	5.0V_IN	29	I/O	MCU_SPIM0_CLK/GPIO_17/PWM1
5	P	5.0V_IN	30	I/O	MCU_SPIM0_CS_N/GPIO_16/PWM0
6	I	VBSUdet	31	I/O	JTAG_TMS/SWDIO
7	P	BAT_OUT	32	I/O	JTAG_TCK/SWCLK
8	I	PowerSwitch	33	O	JTAG_TDO
9	P	3.3V_OUT	34	I	JTAG_TDI
10	P	3.3V_OUT	35	I	nRESET
11	I	CHG_ISET	36	I	FLASH_ERASE
12	P	GND	37	I/O	MCU_I2C0_CLK/CAPTURE3/GPIO_17
13	I/O	MCU_SPIM1_MISO/GPIO_23	38	I/O	MCU_I2C0_DATA/CAPTURE2/GPIO_16
14	I/O	MCU_SPIM1_MOSI/GPIO_22	39	I/O	MCU_ADC24_SYNC
15	I/O	MCU_SPIM1_CLK/GPIO_21/UA0_TXD	40	P	VADC
16	I/O	MCU_SPIM1_CS_N/GPIO_20/UA0_RXD	41	AD	MCU_ADC_AIN5
17	I/O	MCU_UA1_TXD/I2C0_DATA/GPIO_13	42	AD	MCU_ADC_AIN4
18	I/O	MCU_UA1_RXD/I2C0_CLK/GPIO_12	43	I	MCU_VREFL_ADC12
19	I/O	MCU_UA0_TXD/CAPTURE1/GPIO_21	44	AD	MCU_ADC_AIN3
20	I/O	MCU_UA0_RXD/CAPTURE0/GPIO_20	45	AD	MCU_ADC_AIN2
21	I/O	MCU_GPIO_9/PWM1/TRACEDATA[1]	46	I	MCU_VREFH_ADC12
22	I/O	MCU_GPIO_8/PWM0/TRACEDATA[0]	47	AD	MCU_ADC_AIN1
23	I/O	MCU_GPIO_7	48	AD	MCU_ADC_AIN0
24	I/O	MCU_GPIO_6	49	P	GND
25	P	GND	50	P	GND

CN2: Battery connector JST BM03B-ACHSS-GAN-TF(LF)(SN)

Pin	Type	Symbol	Description
1	P	Battery Positive	Connect to the positive terminal of the battery.
2	I/O	TS	Battery Pack NTC Monitor. 10kohm 3900K
3	P	Battery Negative	Connect to the negative terminal of the battery.

CN3: Input power supply connector JST BM02B-ACHSS-GAN-TF(LF)(SN)

Pin	Type	Symbol	Description
1	P	GND	Ground terminal
2	P	+5V input	Input power supply. Connected to the external DC supply. Operating voltage range +4.6V~+5.5V

CN4: Switch connector JST BM04B-ACHSS-A-GAN-TF(LF)(SN)

Pin	Type	Symbol	Description
1	I	PowerSW	Power Enable Switch Active-Low Input. (MCU_GPIO1)
2	P	GND	Ground terminal
3	I	PushSW	Push Switch Active-Low Input. (MCU_GPIO2)
4	P	GND	Ground terminal